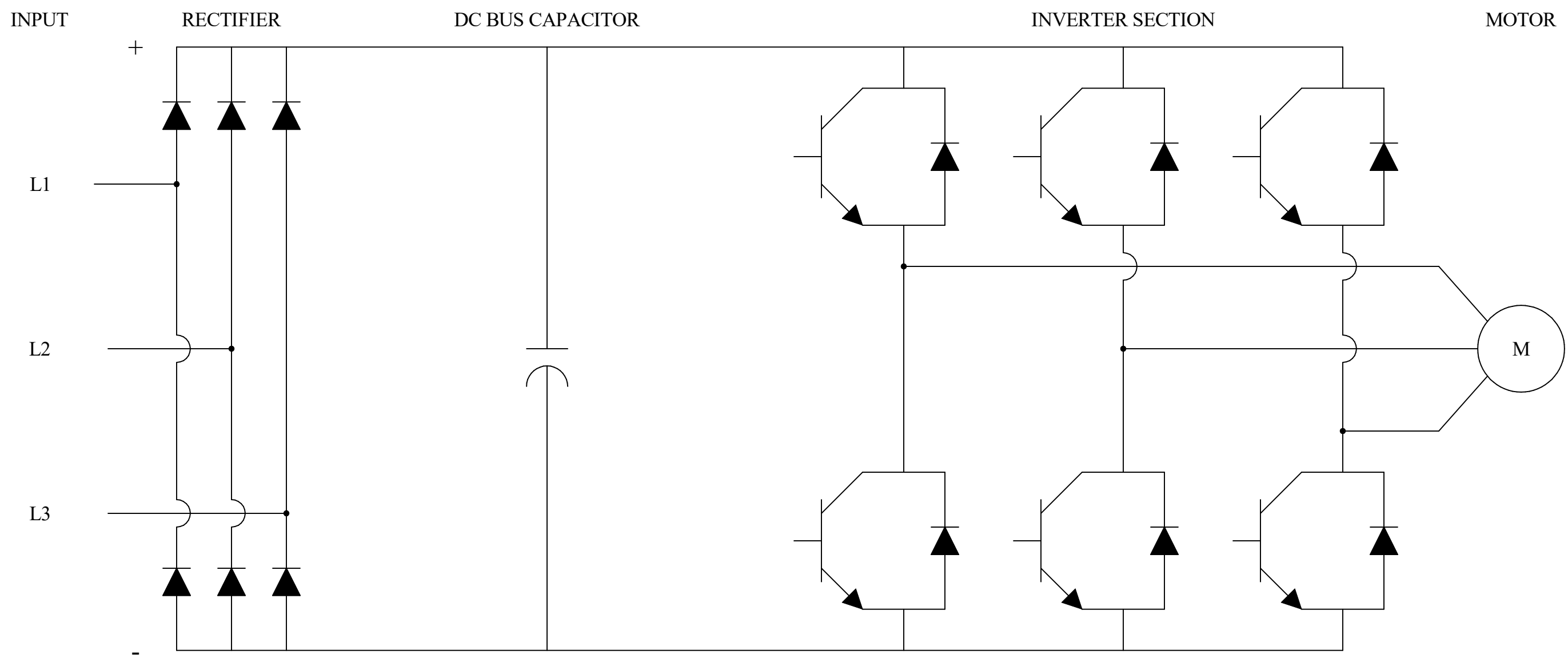


BASIC VFD DIAGRAM

1
2
3
4
5
6
7
8
9
10



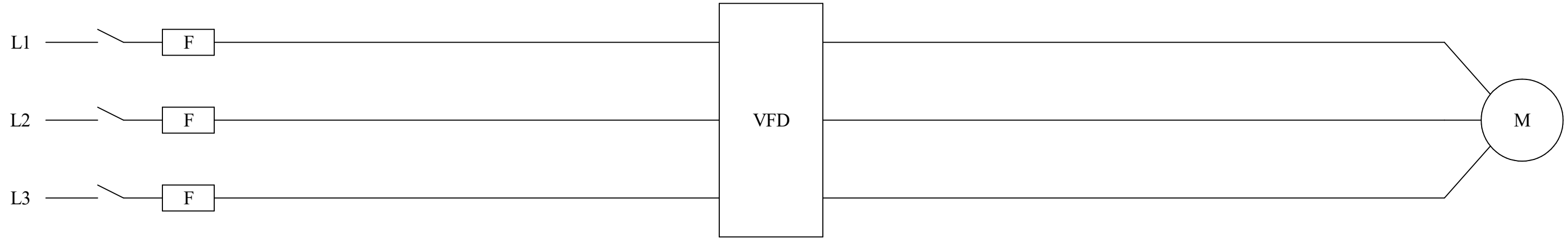
Converts AC to DC

Smooths DC

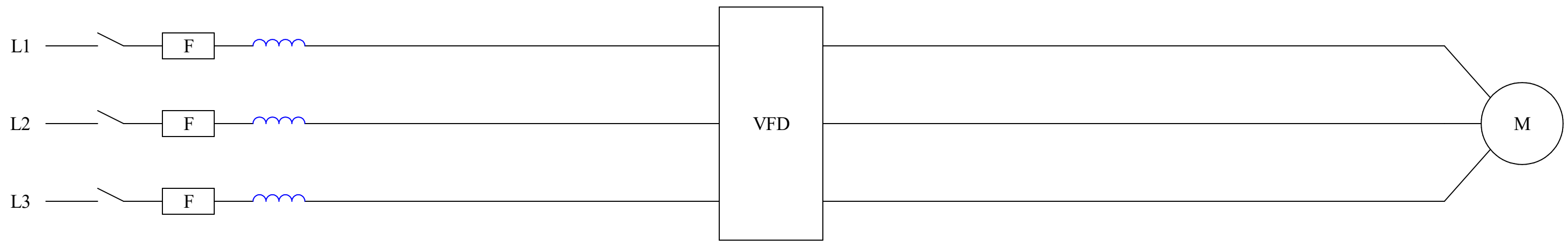
Converts DC to a controlled AC sinewave

Rising Edge Services, LLC	Date Started: Wednesday, January 23, 2019	BASIC VFD DIAGRAM	Page 1 of 5
Drawin by Lorn MacIlravie	Revision Date: Monday, January 28, 2019	-	File Name: Variable Speed Drives Ver 3.PDF

VFD without any filters. I don't recommend this.



VFD with the bare MINIMUM filtering

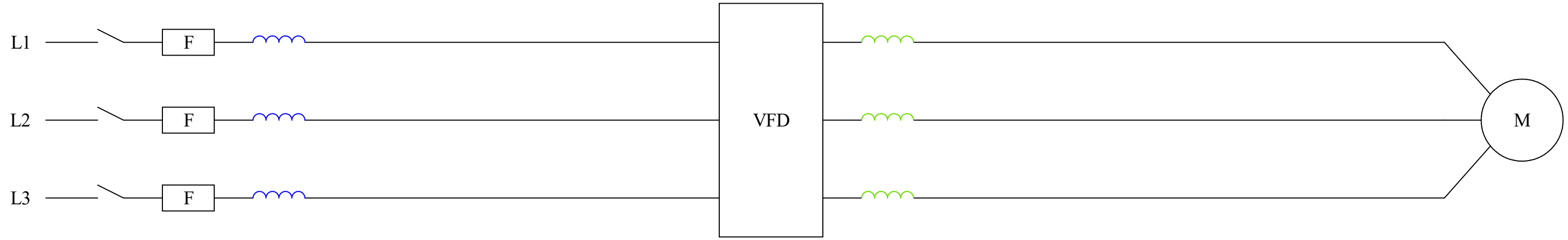


LINE REACTOR

A 5% line reactor, sized for the current input of the VFD, usually reduces %THD-I by at least 20%. It also helps reduce voltage spikes. It is good insurance to protect VFDs on the line side of the system.

Rising Edge Services, LLC	Date Started: Wednesday, January 23, 2019	NO FILTER AND BASIC FILTERING	Page 2 of 5
Drawin by Lorn MacIlravie	Revision Date: Monday, January 28, 2019	Variable Speed Drives Ver 1.dc	File Name: Variable Speed Drives Ver 3.PDF

VFD with better filtering



LINE REACTOR

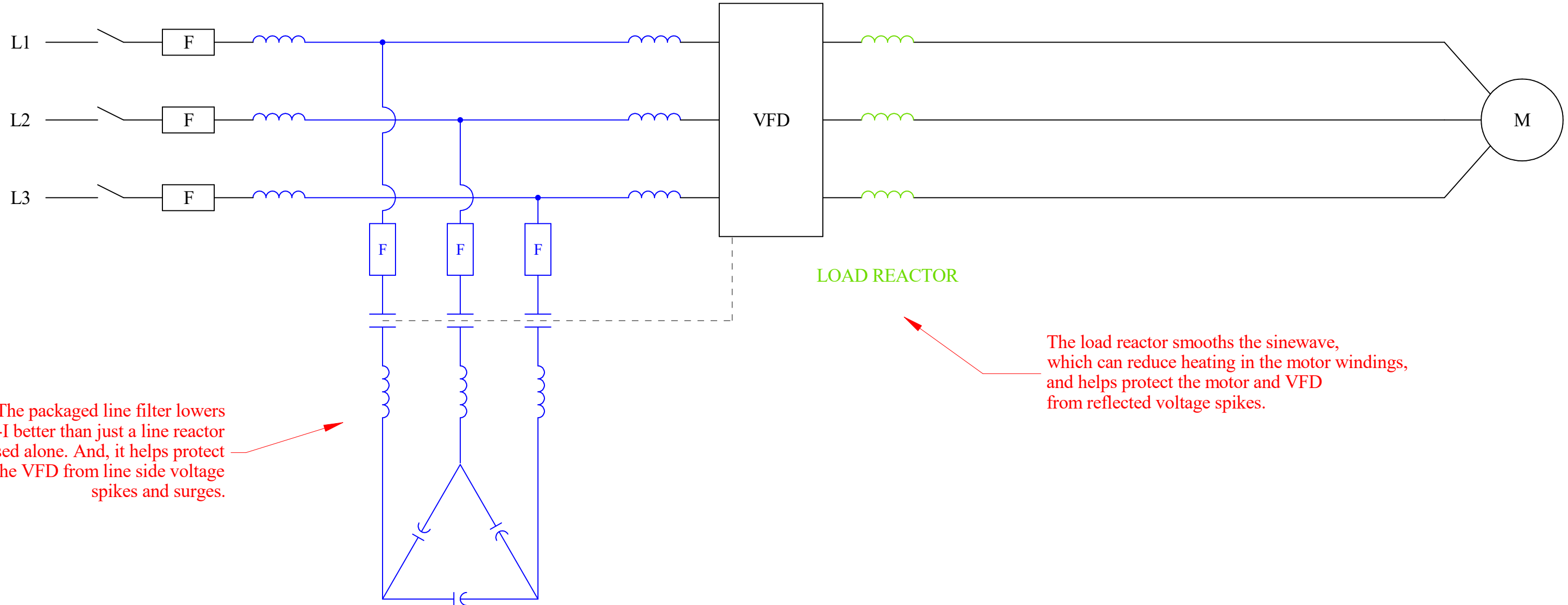
LOAD REACTOR

A 5% line reactor, sized for the current input of the VFD, usually reduces %THD-I by at least 20%. It also helps reduce voltage spikes. It is good insurance to protect VFDs on the line side of the system.

The load reactor smooths the sinewave, which can reduce heating in the motor windings, and helps protect the motor and VFD from reflected voltage spikes.

Rising Edge Services, LLC	Date Started: Wednesday, January 23, 2019	BETTER FILTERING	Page 3 of 5
Drawin by Lorn MacIlravie	Revision Date: Monday, January 28, 2019	-	File Name: Variable Speed Drives Ver 3.PDF

VFD with a packaged line filter and load reactor. This is my most common recommendation.



The packaged line filter lowers %THD-I better than just a line reactor used alone. And, it helps protect the VFD from line side voltage spikes and surges.

The load reactor smooths the sinewave, which can reduce heating in the motor windings, and helps protect the motor and VFD from reflected voltage spikes.

Line Filter Package Properly Sized for the VFD Input Current

LOAD REACTOR

A B C D E F G H I J K L M N O P Q

1

2

3

4

5

6

7

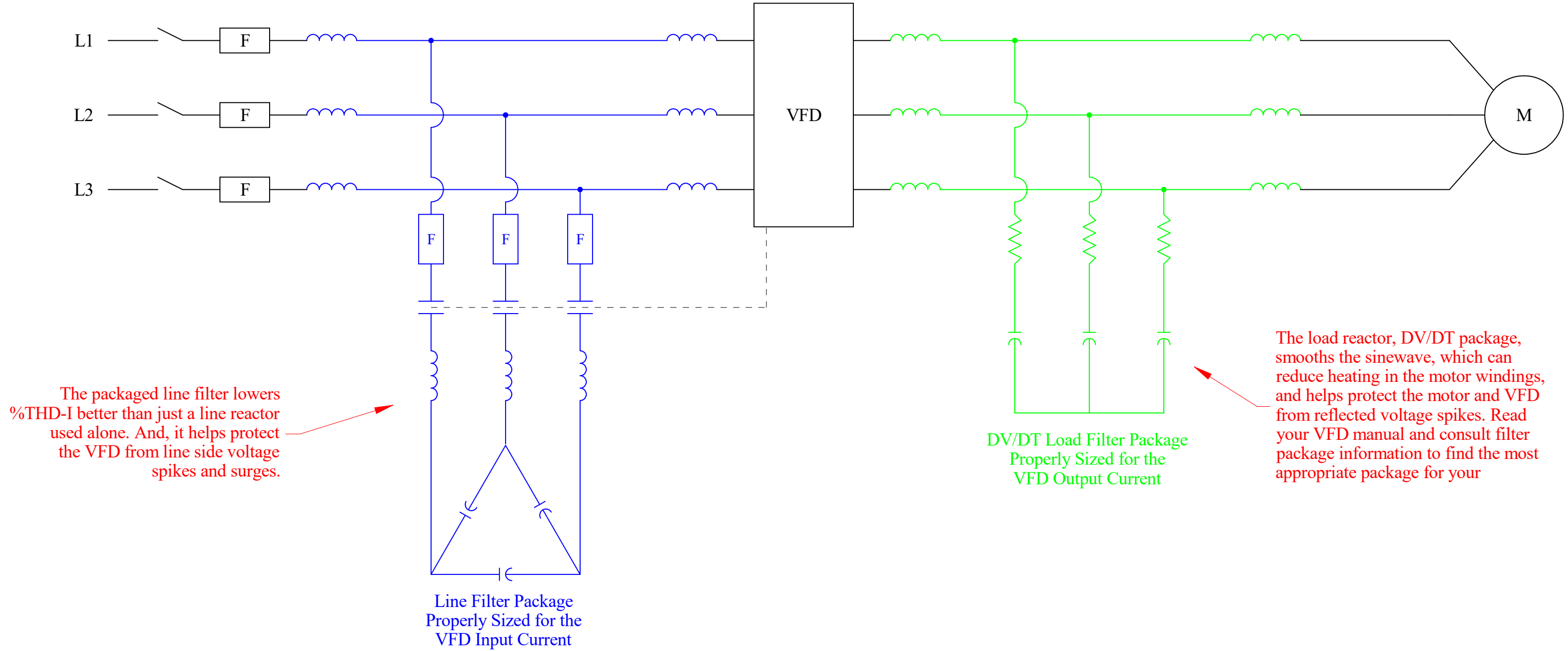
8

9

10

Rising Edge Services, LLC	Date Started: Wednesday, January 23, 2019	RECOMMENDED FILTERING	Page 4 of 5
Drawin by Lorn MacIlraviae	Revision Date: Monday, January 28, 2019	-	File Name: Variable Speed Drives Ver 3.PDF

VFD with a packaged line filter and packaged DV/DT filter. I recommend this for motors located more than 200 feet from the VFD.



Note 1: These are just representations of common products. There are many filtering schemes that work. Check the manufacturer's diagrams for the most accurate information.

Rising Edge Services, LLC	Date Started: Wednesday, January 23, 2019	LONG LEAD FILTER RECOMMENDATION	Page 5 of 5
Drawin by Lorn MacIlraviae	Revision Date: Monday, January 28, 2019	-	File Name: Variable Speed Drives Ver 3.PDF